

"Intelligent designs for high productivity"

9 MODULE ENCLOSURE LOW PROFILE FOR M36 DIN-RAIL LIGHT LOW

SERIES M9

TECHNICAL DATA:

TOP PART:

Material: Lexan 940
 Colour: Grey (RAL 7035) other on request
 Max.temperature: 100° C
 Width: 157 mm
 (9 modules)

BASE PART:

Material: Noryl VO 1550
 Colour: Black (RAL 9005) other on request
 Max.temperature: 100° C
 Terminals: Up to 54 fixed or
 (2x6) plugable
 DIN-rail (EN50022)
 Many different covers available

Light Low profile 9 modules enclosure. With the optional terminal covers you can have a simple and low cost two pcs enclosure or you can use the optional covers to enable you the flexibility to build your own DIN-rail enclosures.

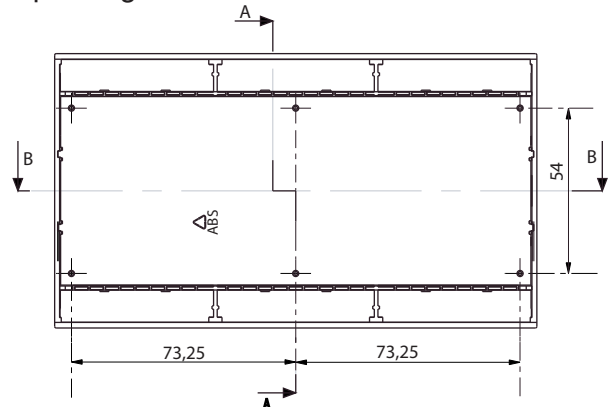
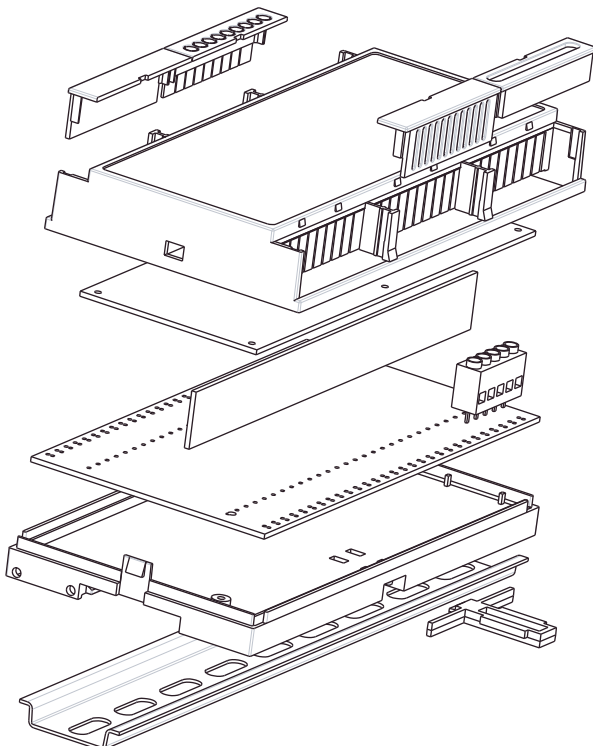
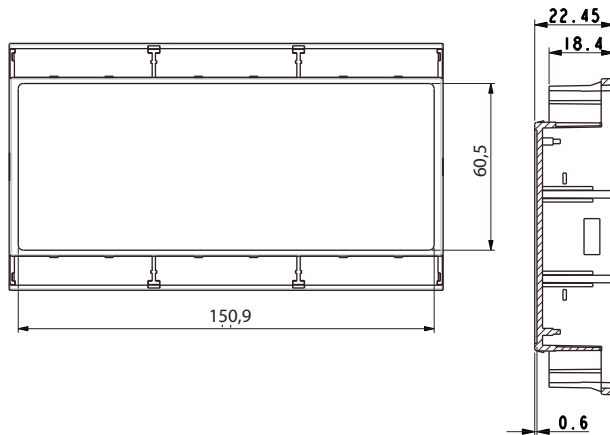
The possibility of mixing covers with different openings for connectors gives not only very wide options of connections, but also a very good price.

Due to designed covers it is possible to add different and individual features to the design.

Interconnections in form of pin headers and distance pcs/spacers from board level to board level are available.

Options: Printed numbers and symbols on the cover and colour coded covers.

Series M9 is, if requested, available with customer specified holes in front. Prototype PCB, customized label and packing are available.



Description Type M9 Light Low	Partnumber
Top part,label area 150,7 x 60,3	p/n 7069009101
Plugable terminal 6 way, horizontal	p/n 1155706580
Plugable terminal 6 way, horizontal	p/n 1155706380
Plugable terminal 6 way, vertical	p/n 3955706380
Plugable terminal 6 way, vertical	p/n 1155606780
Fixed terminal 6 way	p/n 3950140608
Top PCB for type M9	p/n 4999000370
Cover ventilated	p/n 8845700401
Low cover with oval hole	p/n 8845700201
Cover, closed	p/n 8845700101
Base PCB for type M9	p/n 4999000700
Lower cover, knock out	p/n 8845700501
Short side PCB	p/n 4999000470
Base part type M9 with clip + 2 screws	p/n 4969021571
Kompleat M9 (top+base)	p/n 6069157101

The codes are only an option, you do not necessarily need them all.