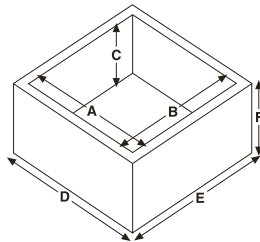
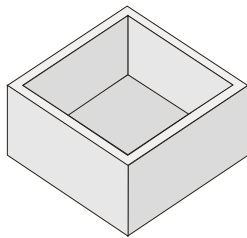


BOXES FOR POTTING

**SERIES
7000**



Boxes for sealing of electronics parts with resin, made of black ABS (or Polycarbonate) heat resistant from -40° - 75° (-40° - 100°) and with superior dielectric properties. Lids available. And thus very suitable as sample box.

Order code ABS	Size Interior			Size Exterior		
	A	B	C	D	E	F
p/n 4970702702	68	68	24	70	70	26

Upon request special sizes, materials and conductive antistatic EMI-X coatings are available.

INSTRUMENTATION ETC. ENCLOSURES

**SERIES
400**

This line of moulded project enclosures is ideally suited for for instance instrumentation and tele-communications equipment from hand-held to desk top sizes. Available in four sizes in ABS.

DESIGN FEATURES:

- * Design according to IP54 IEC 529.
- * Two part design with tongue and groove joint between top and bottom covers.
- * Internal guide slots provided for vertical mounting of PCB's.
- * Type 401 - 404 are supplied with pins for horizontal mounting by cold pressing of a PCB or with screw holes for horizontal mounting of a PCB, assembled by means of self tapping screws.

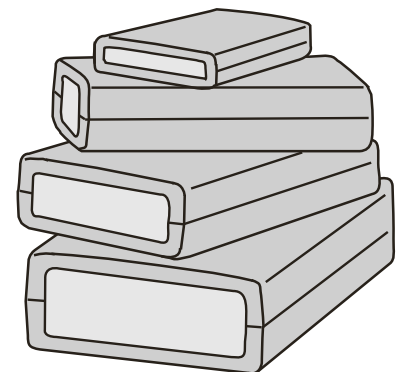
ORDERING INFORMATION:

- * Type numbers are for enclosures supplied with four lid fixing screws and two end panels.
- * The ABS case lid and base are moulded in grey with end panels in matching colours.
- * All enclosures can be made according to customer specifications.

● All measurements are in mm.

Possibility for flat spacers to accommodate 9 way D-sub.

Technical drawings available on: www.bernic.dk



TECHNICAL DATA:

Material: ABS
(Other materials available)
Colour: Grey (RAL7035)
(Other colours are upon request available)
Assembling: 4 selftapping screws
Sealing: IP54 IEC 529
Temperature range: -30°C - +75°C
Self-extinguishing: ACC UL94-V0

Keyhole available

Special end parts for connectors are available

