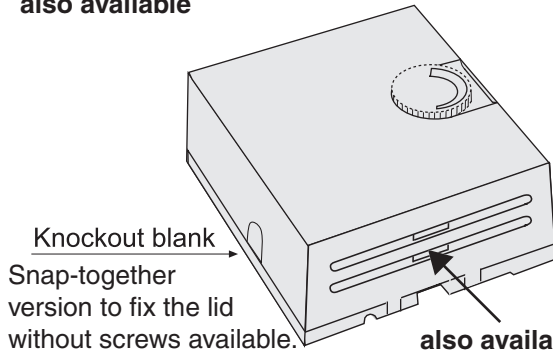


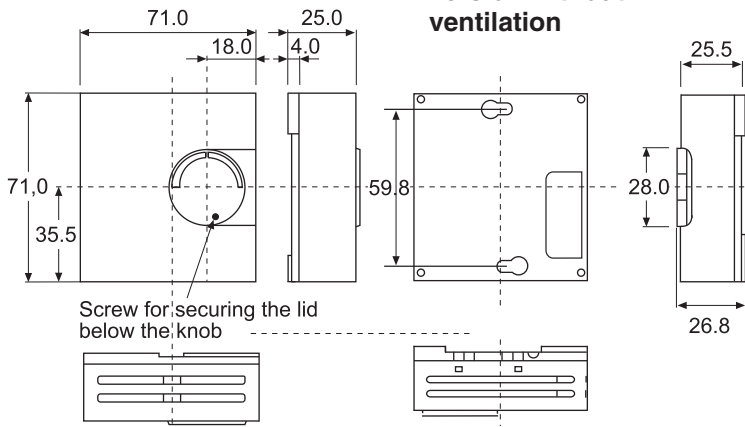
ENCLOSURE WITH KNOB

SERIES 300

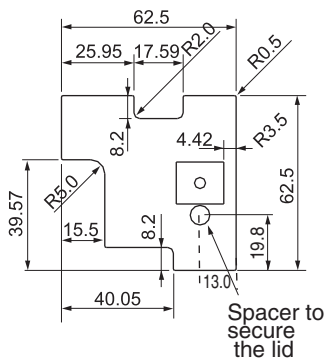
NEW designed version with concave front also available



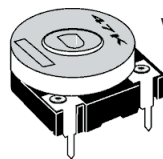
also available in a closed version without ventilation



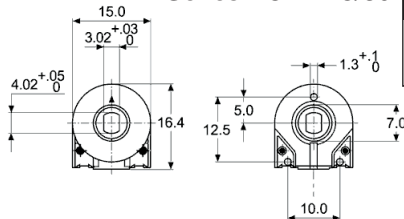
PCB DIMENSIONS:



Possibility for integrated battery holder for wireless applications.



Trimmer Series PCH 215/30



Enclosure with knob, for wallmounting, suitable for room thermostats etc. The knob fits among others trimmer P/N. PCH215/30 from AB Elektronik GmbH. Standard colour is white/white but other colours can be supplied upon request.

PCB and packing are available.

Top part is limited to 180° mechanical travel of the knob

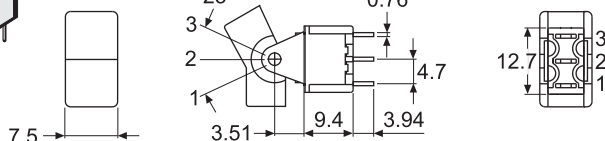
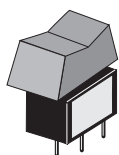
TECHNICAL DATA:

Top part:	Cyclopy C 2800
Base part:	Cyclopy C 2800
Colour:	White/white (RAL9010/RAL9010)
Temperature range:	-30 - +100°C
Self-extinguishing:	Acc. to UL94-V0
Knob:	Cyclopy 2800

Base part with battery holder for 2 pcs AAA-batteries available.

TYPE 300	ORDER CODE:
Complete: Top + base	p/n 0669000303
Knob without print	p/n 0669001603
PCH 215/30 10k trimmer	p/n 0207220103
Packing	p/n 2068300004
Knob with black dot	p/n 0669081603
Raw PCB	p/n 4999000300
Knob with grey print	p/n 0669080603
Knob with red print	p/n 0669020603
Light conductor	p/n 4972001258
Push button switch	p/n 4955127313
Rocker switch 28V DC	p/n 1441210212
Illuminated rocker switch	p/n 1415600001
White rocker switch without light	p/n 1415600002

ROCKER SWITCH



Rocker switch for 28V DC with white button. Available in 1 or 2 poles version and with 2 or 3 positions.

Fits series 300,301,600,601,602 and 900 enclosures

TECHNICAL DATA:

Contact rating:	5A / 28V DC
Lifetime:	50.000 operations

SERIES 3:	ORDER CODE:
Rocker switch	p/n 1441210212

● All measurements are in mm.