

# ENCLOSURE FOR WALL MOUNTING

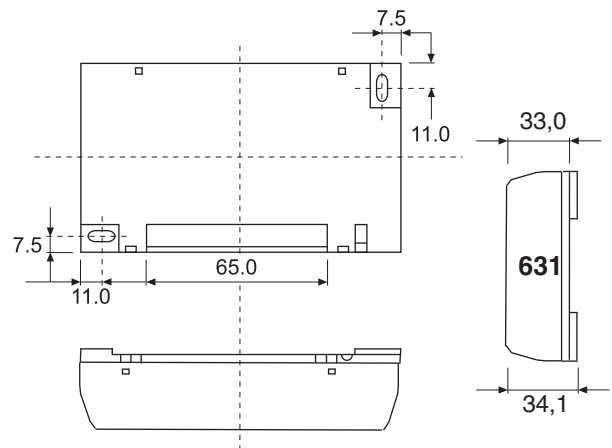
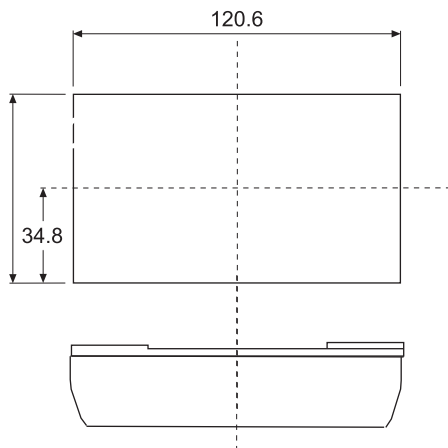
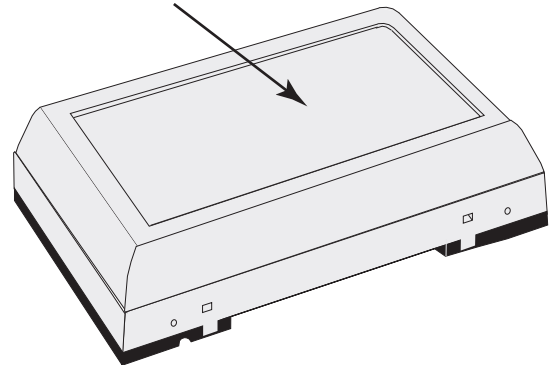
## SERIES 631

Designed enclosure for wallmounting with label recess. Closed version. Suitable for alarms etc. Possibility for 2 PCB's. PCB and packing are available. Standard colour is white/black but other colours can be supplied on request. Label in polycarbonate available in customer specified colours. Base part available with cold press fixed taps or four self tapping screws to fix PCB.

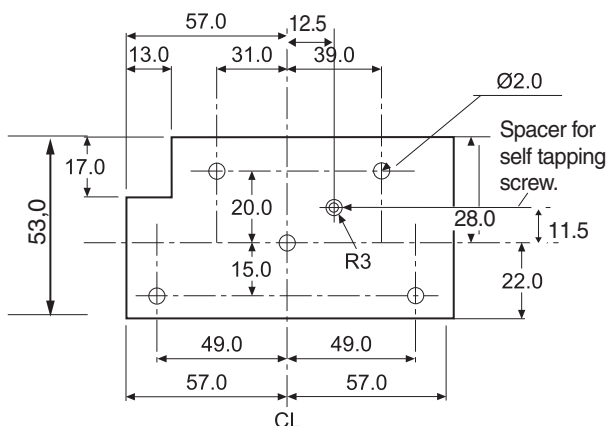
### TECHNICAL DATA:

Top part: Cylcoloy C 2800  
 Base part: Lexan 940  
 Colour: White/black (RAL9010/RAL9005)  
 Temperature range: -30 - +100°C  
 Self-extinguishing: Acc. to UL94-V0

Label recess (97x46 mm)



### PCB DIMENSIONS:



TYPE 631	ORDER CODE:
Top part	p/n 0669701621
Base part w.cold press taps	p/n 0669000609
Base part f.self tapping screws	p/n 0699000610
Raw PCB	p/n 4999000600
Packing	p/n 2068631000
Light conductor	p/n 4972001258
Push button switch	p/n 4955127313

● All measurements are in mm.