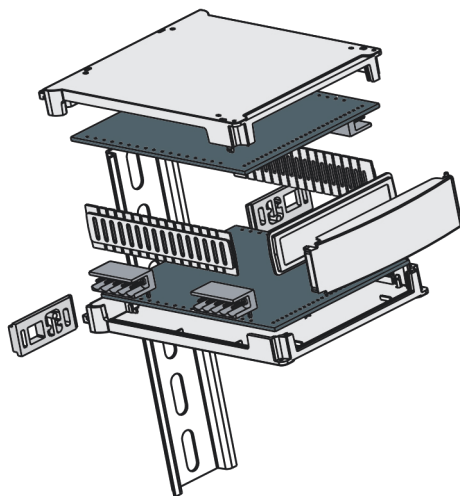
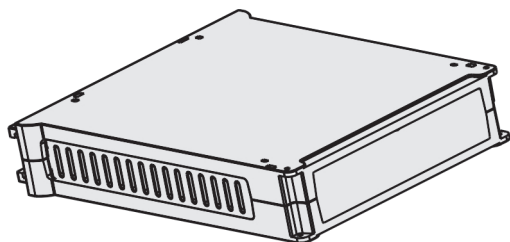


CONTROL BOX

M22



CONTROL BOX Series M22.

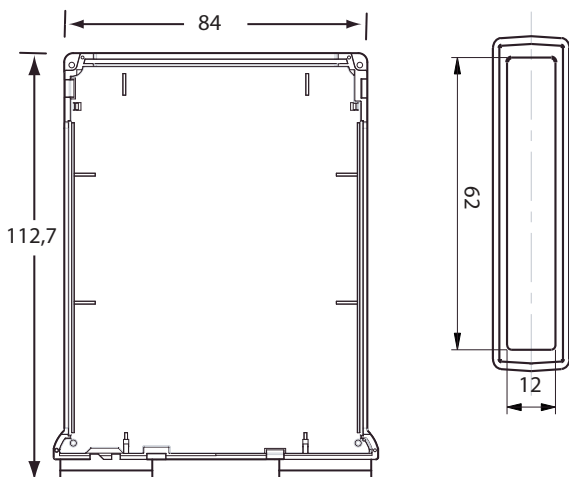
Control box for measurement and control devices. Industrial standard size PCB exchangeable with other enclosures on the market. Many side panel configurations available. Hinged transparent cover available.

A closed version without terminals is also available. Trimmers and spindles that fit the height of the box are available. Many other connectors and terminal configurations are available upon request.

TECHNICAL DATA

HCD D5 FH.

Material:	Lexan 940
Colour:	Grey (RAL 7035D)
Max temperature:	70°C
Y-axis:	100mm
Š:	100mm
Ú:	100mm
Ó:	100mm
T:	100mm
T:	100mm
Á:	100mm
V:	100mm
T:	100mm



Front Panel
(label size: 61,8 x 11,8 mm)

TYPE M22:	ORDER CODE:
Complete M22	p/n 3345002250
DIN-rail clip for M22	p/n 0669000604
Transparent lid for M22	p/n 3345022255
Terminal 257/12 HO/A, PCB part	p/n 1155712580
Terminal 256/12, wire part	p/n 1155612080
Terminal 605/12, fixed terminals	p/n 3950141208
Screw/self-cutting 2 pcs.	p/n 7006102965

Many more p/n available - please enquire.